

## SIRIUS HRI brand

High-pressure discharge lamps with reflector



### Areas of application

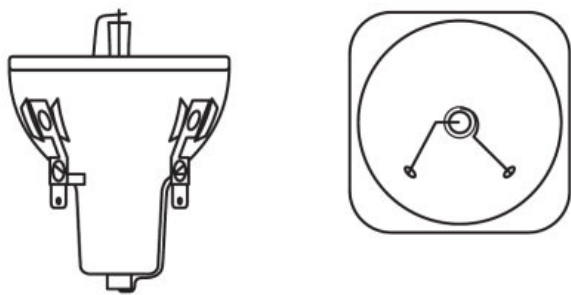
- Concert lighting
- Club and disco
- Stage and theatre
- Studio, TV and film
- Architecture & Architainment

### Product family benefits

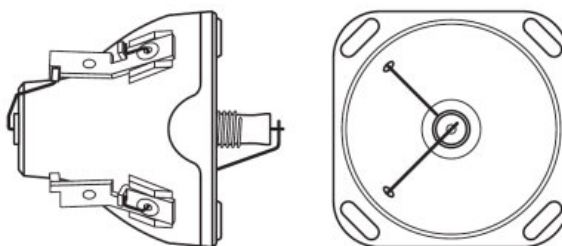
- Lightweight and compact reflector lamps
- Perfectly suited for small and lightweight moving heads
- Optimized burner design allows any burning position
- High luminance through very short arc and high pressure
- Bright light for brilliant light effects
- Long lifetime
- Easy lamp replacement
- Stable light output over the entire lifetime



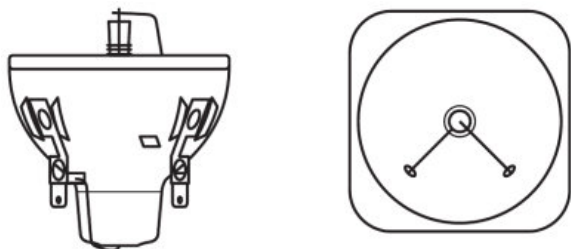
Product family datasheet



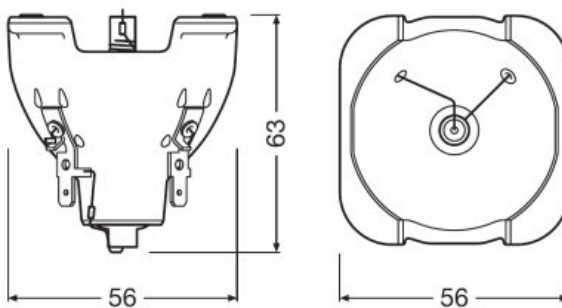
666507\_SIRIUS HRI 100W



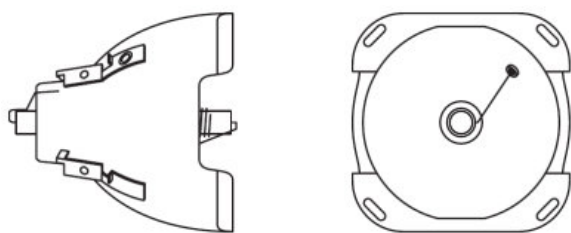
350611\_SIRIUS HRI 132W



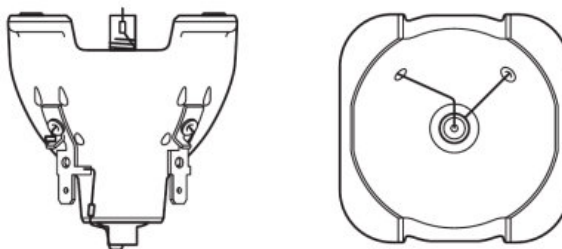
488735\_SIRIUS HRI 132W



501950\_SIRIUS HRI 330W

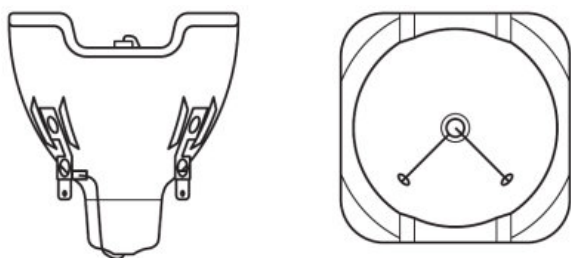


333382\_SIRIUS HRI 330W

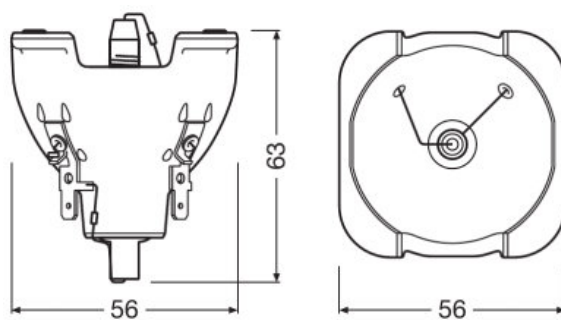


501965\_SIRIUS HRI 330W

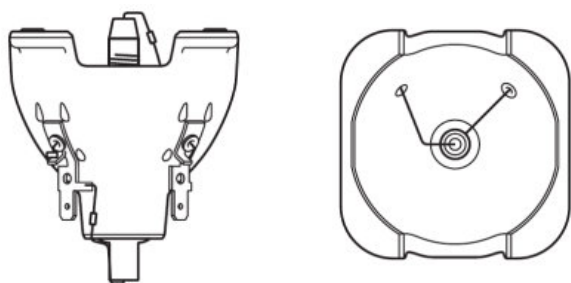
Product family datasheet



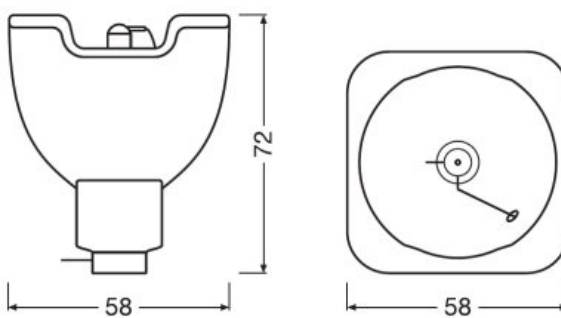
488771\_SIRIUS HRI 330W X8



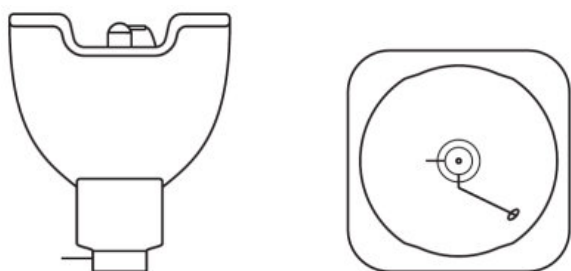
501949\_Sirius HRI 330W XL



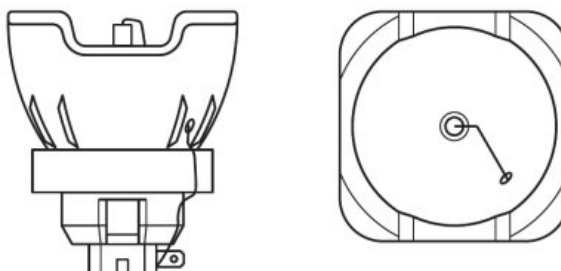
501963\_Sirius HRI 330W XL



SIRIUS HRI 371W



SIRIUS HRI 371W



668858\_SIRIUS HRI 440W

## Product family datasheet

### Technical data

Product description	Electrical data		Photometrical data				Light technical data
	Nominal wattage	Nominal current	Nominal luminous flux	Color temperature	Color rendering index Ra	Maximum color temperature	Focal length
SIRIUS HRI 100 W	100.00 W	1.8 A	3680 lm	9000 K	60	9300 K	30.0 mm
SIRIUS HRI 132 W SC	132.00 W	1.8 A	5150 lm	9200 K	60	9200 K	37.7 mm
SIRIUS HRI 140 W RO	140.00 W	1.9 A	5400 lm	9200 K	60	9200 K	37.7 mm
SIRIUS HRI 190 W+	190.00 W	2.2 A	8100 lm	8200 K	73	8200 K	34.5 mm
SIRIUS HRI 230 W	230.00 W	3.3 A	9500 lm	8000 K	75	8000 K	34.5 mm
SIRIUS HRI 231 W	231.00 W	3.3 A	10800 lm	8000 K	75		
SIRIUS HRI 280 W	280.00 W	4 A	11500 lm	7800 K	78	7800 K	35.5 mm
SIRIUS HRI 280 W RO	280.00 W	4 A	11500 lm	7800 K	78		
SIRIUS HRI 281 W	281.00 W	4 A	13000 lm	7800 K	78		
SIRIUS HRI 330 W	330.00 W	5 A	12000 lm	7400 K	86	7400 K	31.0 mm
SIRIUS HRI 330 W X8	330.00 W	4.4 A	18000 lm	8000 K	85		
SIRIUS HRI 330 W XL	330.00 W	5 A	16500 lm	7250 K	71		
SIRIUS HRI 370W LL	370.00 W	5 A	18000 lm	7400 K	86		
SIRIUS HRI 371 W	371.00 W	5 A	18300 lm	7650 K	85		
SIRIUS HRI 371 W S	371.00 W	5 A	19800 lm	7650 K	85		
SIRIUS HRI 440 W	440.00 W	5.3 A	20000 lm	7000 K	80	7000 K	41.0 mm
SIRIUS HRI 440 W H	440.00 W	5.3 A	18000 lm	7000 K	75		
SIRIUS HRI 440 W S	440.00 W	4.4 A	22800 lm	7000 K	80		
SIRIUS HRI 440 W X	440.00 W	5.3 A	22800 lm	7000 K	80		
SIRIUS HRI 461 W	461.00 W	5.3 A	24000 lm	7500 K	80		
SIRIUS HRI 461 W S	461.00 W	5.3 A	24000 lm	7500 K	80		
SIRIUS HRI 470 W S	470.00 W	5.3 A	21500 lm	7000 K	80		
SIRIUS HRI 470 W RO	470.00 W	5.3 A	19500 lm	7500 K	80		
SIRIUS HRI 471 W SN	471.00 W	5.3 A	20000 lm	7500 K	80		
SIRIUS HRI 550 W	550.00 W	6.1 A	28000 lm	7000 K	75		

Product description	Aperture window, maximum	Dimensions & weight		Lifespan	Capabilities	
		Diameter	Length	Lifespan	Burning position	Cooling
SIRIUS HRI 100 W	5x3.8 mm	45.0 mm	53.0 mm	6000 h	Any	Forced
SIRIUS HRI 132 W SC	5x3.8 mm	46.0 mm	max. 44 mm	6000 h	Any	Forced
SIRIUS HRI 140 W RO	5x3.8 mm	46.0 mm	max. 44 mm	6000 h	Any	Forced
SIRIUS HRI 190 W+	5x3.8 mm	51.0 mm	54.2 mm	3000 h	Any	Forced
SIRIUS HRI 230 W	5x3.8 mm	51.0 mm	54.5 mm	2500 h	Any	Forced
SIRIUS HRI 231 W		51.0 mm	50.0 mm	2000 h	Any	
SIRIUS HRI 280 W	5x3.8 mm	51.0 mm	54.5 mm	2000 h	Any	Forced
SIRIUS HRI 280 W RO		51.0 mm	54.5 mm	2000 h	Any	
SIRIUS HRI 281 W		51.0 mm	50.0 mm	2000 h	Any	
SIRIUS HRI 330 W	8.0 mm	56.0 mm	63.0 mm	1500 h	Any	Forced

## Product family datasheet

Product description	Aperture window, maximum	Dimensions & weight		Lifespan	Capabilities	
		Diameter	Length	Lifespan	Burning position	Cooling
SIRIUS HRI 330 W X8		58.0 mm	66.0 mm	1500 h	Any	
SIRIUS HRI 330 W XL		56.0 mm	63.0 mm	1500 h	Any	
SIRIUS HRI 370W LL		58.0 mm	72.0 mm	6000 h	Any	
SIRIUS HRI 371 W		58.0 mm	72.0 mm	1500 h	Any	
SIRIUS HRI 371 W S		58.0 mm	72.0 mm	1500 h	Any	
SIRIUS HRI 440 W	8.0 mm	58.0 mm	71.0 mm	1500 h	Any	Forced
SIRIUS HRI 440 W H		65.0 mm	60.0 mm	1500 h	Any	
SIRIUS HRI 440 W S		11.8 mm	71.0 mm	1500 h	Any	
SIRIUS HRI 440 W X		58.0 mm	71.0 mm			
SIRIUS HRI 461 W		60.0 mm	67.0 mm	1500 h	Any	
SIRIUS HRI 461 W S		60.0 mm	67.0 mm	1500 h	Any	
SIRIUS HRI 470 W S		58.0 mm	71.0 mm	1500 h	Any	
SIRIUS HRI 470 W RO		60.0 mm	67.0 mm	1500 h	Any	
SIRIUS HRI 471 W SN		60.0 mm	67.0 mm	1500 h	Any	
SIRIUS HRI 550 W		60.0 mm	67.0 mm	1500 h		

Product description	Certificates & standards
	EEI – Energy Label
SIRIUS HRI 100 W	B
SIRIUS HRI 132 W SC	A
SIRIUS HRI 140 W RO	A
SIRIUS HRI 190 W+	A
SIRIUS HRI 230 W	A
SIRIUS HRI 231 W	A
SIRIUS HRI 280 W	A
SIRIUS HRI 280 W RO	A
SIRIUS HRI 281 W	A
SIRIUS HRI 330 W	
SIRIUS HRI 330 W X8	A
SIRIUS HRI 330 W XL	
SIRIUS HRI 370W LL	
SIRIUS HRI 371 W	
SIRIUS HRI 371 W S	
SIRIUS HRI 440 W	A
SIRIUS HRI 440 W H	
SIRIUS HRI 440 W S	A
SIRIUS HRI 440 W X	
SIRIUS HRI 461 W	
SIRIUS HRI 461 W S	
SIRIUS HRI 470 W S	
SIRIUS HRI 470 W RO	A
SIRIUS HRI 471 W SN	
SIRIUS HRI 550 W	

## Product family datasheet

---

### Safety advice

Because of their high luminance, UV radiation and high internal pressure during operation, SIRIUS HRI lamps may only be operated in enclosed lamp casings specially constructed for the purpose. Appropriate filters must ensure that UV radiation is reduced to an acceptable level. Mercury is released if the lamp breaks. Special safety precautions must be taken. Information on safety and handling is available on request or can be found in the leaflet included with the lamp or in the operating instructions.

---

### Application advice

For more detailed application information and graphics please see product datasheet.

---

### Disclaimer

Subject to change without notice. Errors and omission excepted. Always make sure to use the most recent release.